

Zallys[®]
... the passion for moving



M9

Industrial cart puller

M9

Z195.720



4,5 km/h



3.000 kg

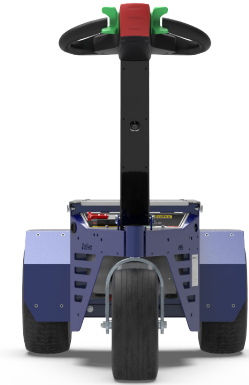


15 %



- For loads up to 3.000 kg.
- Versatile and compact.
- Pneumatic wheels.
- 5-levels speed adjustment.
- Wide range of accessories and connections.
- Optional remote control driving.

👁 **Front View**



👁 **Side View**



👁 **Rear View**



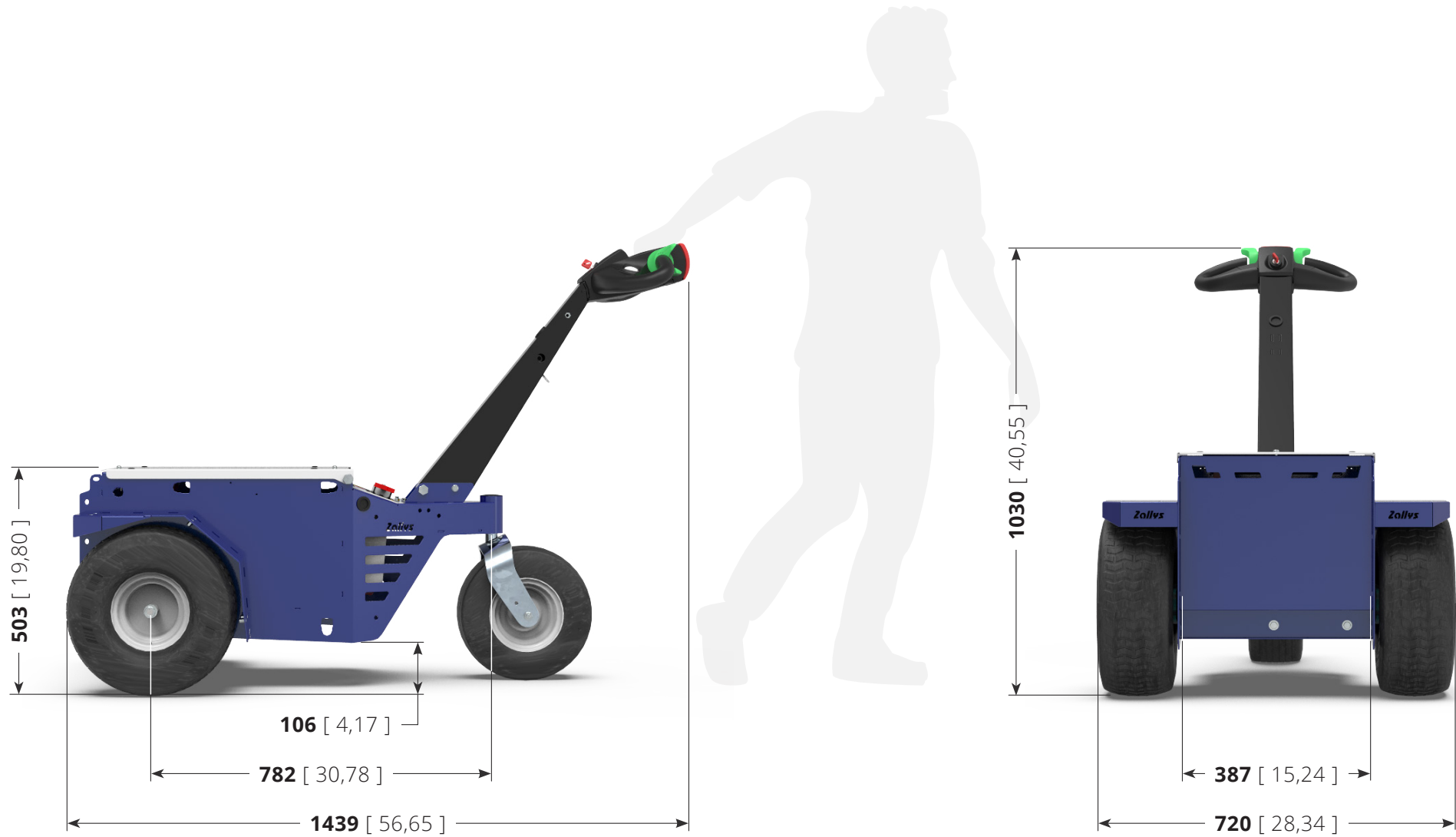
**Zollys**[®]

TABLE:

Z195.720

M9

Unit: **mm** [inch]

Main sectors



WASTE HANDLING



HOSPITALS



FOOD INDUSTRY



INDUSTRIAL MAINTENANCE



PRODUCTION LINES



AIRPORTS

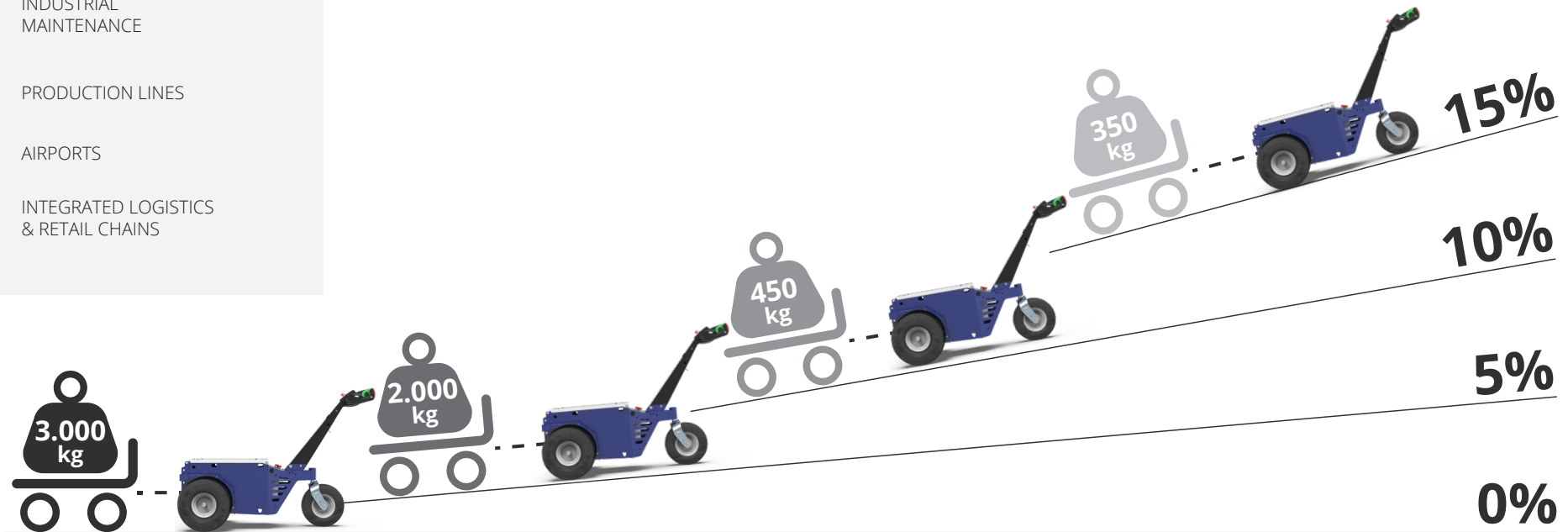


INTEGRATED LOGISTICS & RETAIL CHAINS

Performances on slopes

While the force expressed in N at the hook remains unchanged, the following circumstances **may affect the towing capacity expressed in kg:**

- **type of ground** on which the towing is performed;
- towing on **flat ground or on a slope;**
- use (or not) of **ballasts;**
- **type of wheels** mounted on the vehicle and on the trailer.



5 levels speed adjustment

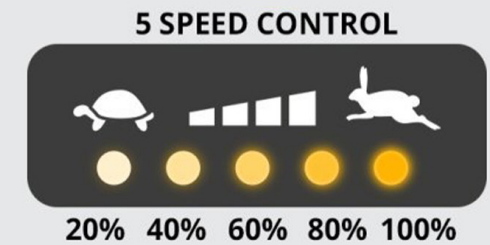
On the new M9 tillerhead by Zallys a button for the adjustment of the speed of the machine is mounted **as standard**. By clicking it, at each click you switch to the next level. This allows a fast and easy selection of the correct speed based on the kind of manoeuvre. **The Flex-to-Go system** has been studied to give a better maneuverability in confined spaces and more speed on the longer journeys.

Each click adds **20% more speed**.

Speed ramp:

20% - 40% - 60% - 80% - 100%

Once the maximum speed is reached, by pressing the button again it returns to 20%.



Ergonomic driving

Zallys' tillerhead has been conceived and produced to make the use of the machine more ergonomic for the operator, guaranteeing the right **comfort while driving during the work shift**. Its **ergonomic design** allows to have **all the driving controls at your fingertips**, the display with the battery charge level and the power key for an easy and fast ignition. **The structure** is made of **resistant materials** in case of accidental bumps.





Pneumatic wheels

M9 is equipped with **pneumatic wheels**, suitable both for indoor and outdoor use, always guaranteeing the maximum grip and a really low level of vibrations. Moreover, they are very resistant and offer exceptional performances on every kind of ground. The traction axis is located on the rear of the machine to offer a better stability and more control over the direction of the trailer to be towed.



Autonomy for a full workday

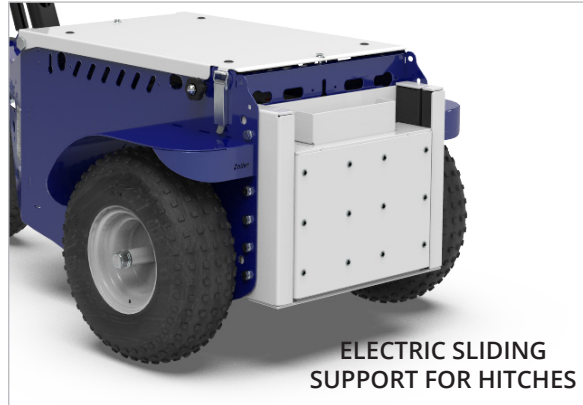
M9 is powered by two 105/130 Ah batteries, which guarantee the machine for **8 hours operation at continuous use**. In case of a particularly intense use, it is possible to equip **higher amperage batteries**, or equip an **interchangeable and extractable battery pack**, for a **24 / 7 operation**. In both cases they are easy and safe to recharge, thanks to the high frequency external battery pack.



Modular ballast system

Zallys **modular system** guarantees **maximum flexibility** on increasing the vehicle's performances. With just **8,5 kg unit weight**, single ballasts are lightweight and can be equipped **without physical effort by the operator**, while maintaining all their effectiveness.

STANDARD HITCH



ELECTRIC SLIDING
SUPPORT FOR HITCHES



GANCIO PINZA
ELETTRICA



BALL/PIN
HITCH



BALL HITCH



DROP PIN
HITCH



HYDRAULIC
CLAMP HITCH



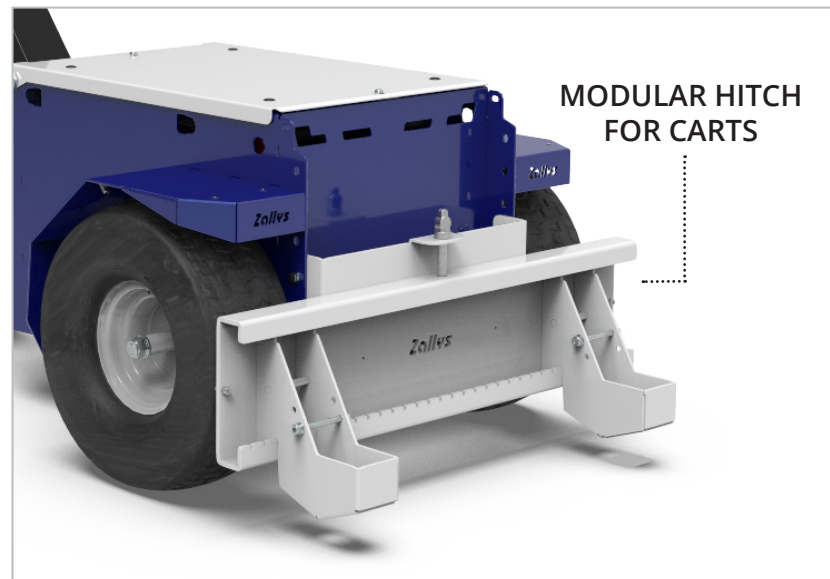
ROLL BOX
HITCH

STANDARD HITCH

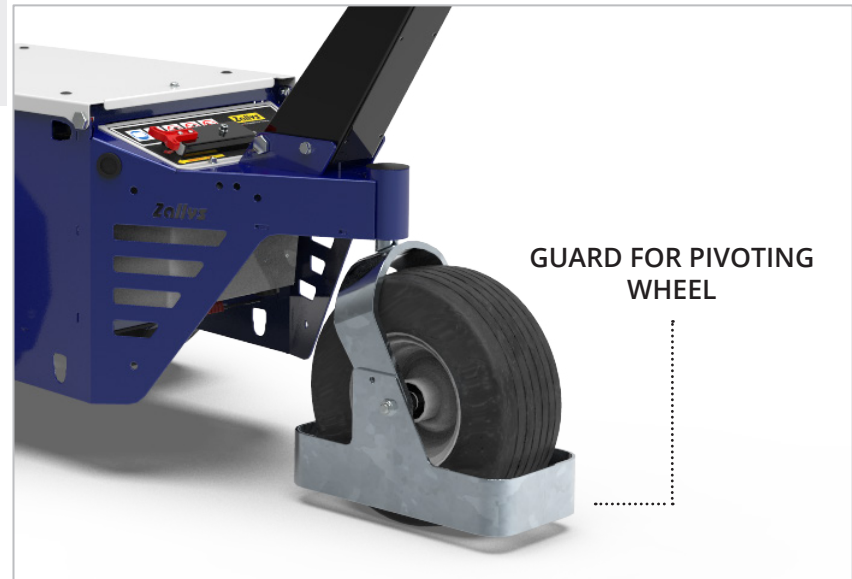
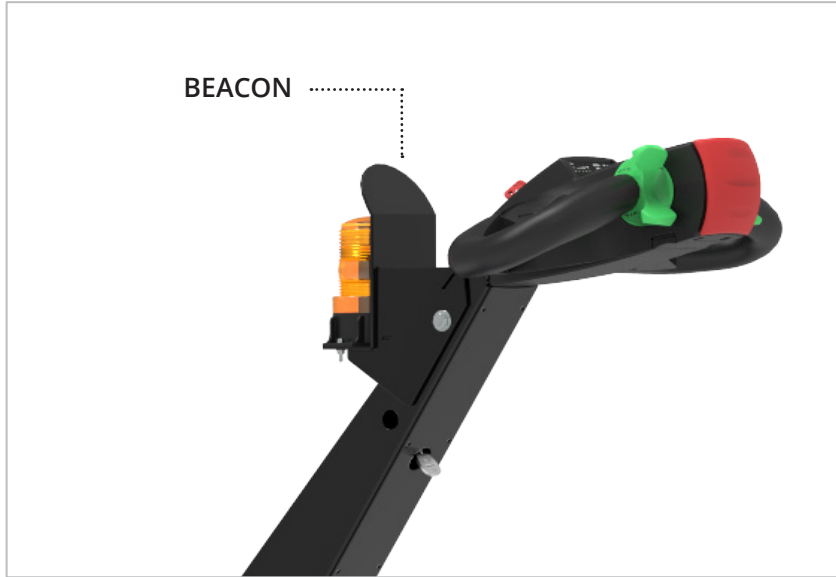
A more efficient way to manage carts



M9 can be configured for the driving mode with **remote control**. With this option, the machine becomes the perfect solution for handling trains of carts: the operator can control the direction of the carts while driving the machine from a distance. **M9 with remote control** lets one single operator to handle up to **60 shopping carts at the same time**, for an average of 350 carts per hour (to obtain the same results without using the machine it would be necessary to employ 4 operators). Moreover, thanks to our **modular hitch**, maximum compatibility is guaranteed with most of the carts on the market.



ACCESSORIES





Examples of applications

on various production sectors



METALLURGICAL INDUSTRY

Zollis
... the passion for moving





INDUSTRIAL MAINTENANCE

Zallys
the passion for moving





WASTE LOGISTICS

Zallys
... the passion for moving





LOGISTIQUE INTÉGRÉE ET CHAÎNES DE MAGASINS

Zolllys
the passion for moving





INDUSTRIE ALIMENTAIRE

Zollis
the passion for moving






Cessna
A Textron Company
AUTHORIZED SERVICE CENTER



• • • the passion for moving

Zallys srl srl - Via Palazzina 1, Sarcedo
36030 (VI) - Italia

Contacts:

sales@zallys.com
+39 0445 366785

Web site:

www.zallys.com

