



CargoMaster

STAIR CLIMBER FOR PROFESSIONALS



ENGINEERED IN GERMANY

FAST . SAFE . VARIABLE
OVER STAIRS

CargoMaster

AAT is the only manufacturer to offer „**highest security**“ as standard! All models are equipped with our patented steps' edge braking system per wheel. The small but certain difference - trust the original.



EXTREMELY SAFE

STEPS' EDGE BRAKING SYSTEM PER WHEEL

FOR EVERY REQUIREMENT THE RIGHT
STAIR CLIMBER

HIGH SPEED
CLIMBING SYSTEM

**FAST, LIGHT
AND FLEXIBLE**



RECOMMENDATION FOR:

**WHOLESALE
DELIVERY SERVICES
OXYGEN-
BOTTLES
AUTHORITIES**

COMFORT
CLIMBING SYSTEM

**MEDIUM LOADS
AND BULKY GOODS**



RECOMMENDATION FOR:

**WHITE GOODS
TILE AND PARQUET
LAYERS
COPIERS**



Powered by **BOSCH**

HEAVY DUTY
CLIMBING SYSTEM

HEAVY DUTY



RECOMMENDATION FOR:

**HEATING ENGINEERS
HEATING INSTALLATION
SERVICES
GAME- / VENDING
MACHINES**



CargoMaster C120

THE ONLY TÜV-CERTIFIED ELECTRIC
STAIR CLIMBER FOR LOADS ON THE MARKET.



C120
120 kg



CC160
LI-ION
160 kg

CC200
LI-ION
200 kg

CC160
160 kg

CC200
200 kg



A350
350 kg

C400
400 kg

HIGH SPEED
CLIMBING SYSTEM



CargoMaster

C120

FAST . SAFE . VARIABLE

The „non plus ultra“ when it comes to fast, safe and easy transport of loads via stairs.

In combination with the proven safety features such as the „step edge braking system per wheel“, the C120 becomes the ideal and indispensable partner especially for wholesalers, delivery services or authorities.

UNBEATABLE FAST

BREATHTAKING 45 STEPS/MINUTE

EXTREMELY SAFE

STEPS' EDGE BRAKING SYSTEM PER WHEEL

ULTRALIGHT

120 KG LIFTING CAPACITY AT A TOTAL WEIGHT OF 21 KG

THE

FASTEST AND SAFEST

STAIR CLIMBER WE HAVE EVER BUILT

CargoMaster C120 F

Foldable handle



CargoMaster C120 S

Height adjustable handle



CargoMaster C120 V

Vario handle



HIGH SPEED
CLIMBING SYSTEM

Technical data

Product models	C120 S	C120 F	C120 V
Lifting capacity		120 kg	
Steps' edge braking system		✓	
Single step mode		✓	
Battery display		✓	
Climbing speed		19-45 Steps / minute⁽¹⁾	
Range with one charge of the battery⁽¹⁾		approx. 25 floors	
Height Width Depth in mm	1066-1614 493 298	1158-1631 493 298	1066-1680 493 298
Weight battery pack		4,1 kg	
Total weight incl. battery pack	21,4 kg	24,5 kg	23,4 kg

⁽¹⁾ Climbing speed and range may decrease with increasing load weight.



Widening bow

Only for C120 V.



Back wall

Made of aluminum with a felt cover to protect the goods from sliding through and from scratching.



Pneumatic tires

Grey (instead of standard) (surcharge).



Puncture proof tires

Instead standard (surcharge).

Article number

Widening bow (only for C120 V)	100835	
Back wall with felt	100831	
Back wall with rubber	100903	
Support for white goods	100834	
Support for round goods	100833	
Holding device for fruit crates	100828	
Holding device for crates and barrels	100830	
Battery pack	100906	
Mega battery pack (instead of standard) (surcharge)	100836	
Mega battery pack (additional)	100887	
Charger	100027	
Charging cable for the car	12 V 24 V	100022 100024
Pneumatic tires grey (instead of standard) (surcharge)	100825	
Puncture proof tires (instead of standard) (surcharge)	100827	
	Steps	4 steps
Auxiliary stairs	Regular support	100018
	Extended support	100326



Auxiliary stairs, made of steel, takes a load of up to 350 kg

Thanks to these stairs you can comfortably load and unload your transporter, trailer, or transportation vehicle. If your vehicle has a tow-bar you need the auxiliary stairs with an extended support.



Holding device for crates and barrels



Support for white goods



Support for round goods

With a diameter of approximately 150 – 800 mm to protect round goods. Easy assembly by popping it on.



Holding device for fruit crates



Charging cable for the car

Available in 12 V or 24 V.



Battery pack

5 Ah incl. interlocking.



Mega battery pack

9 Ah incl. interlocking.

Range of toe plates

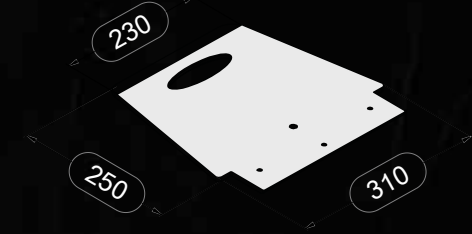
CargoMaster C120

Choose the appropriate toe plate for your personal transportation situation from the variety we offer.

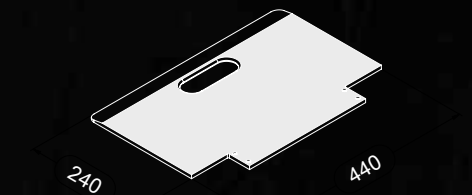
We are happy to create and produce special plates for your particular demands.

Article number		CC160	CC200
Standard toe plate 310 x 250 x 230 mm	included in the delivery package		-
	additional		100846
Toe plate 440 x 240 mm	instead of standard version (extra charge)		100662
	additional		100663
Toe plate 600 x 120 mm	instead of standard version (extra charge)		100664
	additional		100665
Toe plate 400 x 440 mm	instead of standard version (extra charge)		100666
	additional		100667
Toe plate to hook on 430 x 405 mm			100839
Toe plate for a laundry cart			100842
Toe plate to hook on for the transportation with a chair			100840
Toe plate to hook on for crates with drinks			100841

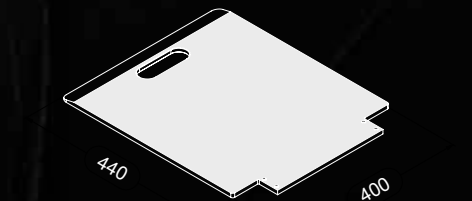
Standard toe plate
310 x 250 x 230 mm



Toe plate
440 x 240 mm



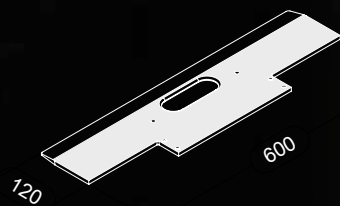
Toe plate
400 x 440 mm



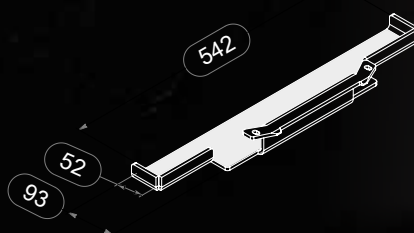
Toe plate to hook on
430 x 405 mm



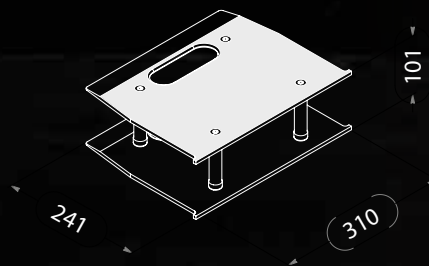
Toe plate
600 x 120 mm



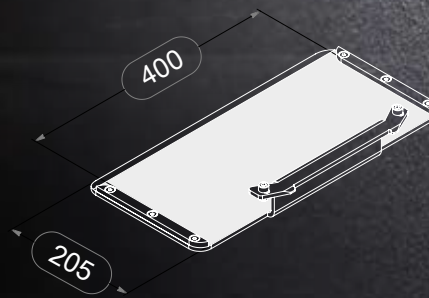
Toe plate to hook on for the transportation with a chair
542 x 93 x 52 mm



Toe plate for a laundry cart
295 x 240 x 101 mm



Toe plate to hook on for crates with drinks
400 x 205 mm



COMFORT
CLIMBING SYSTEM



Powered by  **BOSCH**

CC-SYSTEM

LI-ION

PROVEN QUALITY COMBINED WITH
THE LATEST BATTERY TECHNOLOGY



CargoMaster

CC160/200 LI-ION

PROVEN QUALITY COMBINED WITH THE LATEST BATTERY TECHNOLOGY

The CC-LI-ION series stair climbers with the latest Li-Ion battery technology and innovative Bosch AMPShare technology, are the ideal solution for transporting medium and bulky loads. Its low weight, simple operation and powerful, fast-charging batteries make the CargoMaster an indispensable tool.

Whether indoors or outdoors - the CargoMaster impresses in any environment with its reliability and efficiency. The AMPShare battery technology also offers a long runtime, high compatibility with various devices and a particularly short charging time, so that operations can continue smoothly at all times.

The models in the CC Li-Ion series include the CC160 Li-Ion with a load capacity of 160 kg and the CC200 Li-Ion, which can handle loads of up to 200 kg. Thanks to the extensive range of accessories, the CargoMaster models can be individually adapted to specific transport requirements to offer maximum flexibility and performance.

**CargoMaster CC160
LI-ION**



**CargoMaster CC200
LI-ION**



LEADING BATTERY TECHNOLOGY

LI-ION BATTERY TECHNOLOGY OF THE LATEST GENERATION

SAFE TRANSPORT

UP TO 200 KG OVER STAIRS

COMPLETELY BATTERY COMPATIBLE

AMPSHARE BRAND COMMUNITY

Technical data

The CC-System Li-Ion is equipped with an 8 Ah Li-Ion battery as standard. For more power, an optional 12 Ah Li-ion battery is available as an accessory.

	CC160 LI-ION	CC200 LI-ION
Lifting capacity in kg	160	200
Steps' edge braking system		✓
Battery display		✓
ComfortStep		✓
Single step mode		✓
Climbing speed (steps/minute) ⁽¹⁾	12-25	9-20
Range with one battery charge ⁽¹⁾ - standard battery (8 Ah)	70-75 floors (15 steps/floor)	
Height width depth in mm	1065-1490 446 300	
Weight battery pack - standard battery (8 Ah)	1,0 kg	
Total weight incl. standard battery pack (8 Ah)	25,6 kg	27,0 kg

(1) Range with one charge of the battery at an average load of approx. 75 kg. Climbing speed and range may decrease with increasing load weight.

We reserve the right for changes on technical reasons.



Powered by  **BOSCH**





Front plate

Made of safety plexiglass to protect the goods from sliding through or from scratching.



Back wall

Made of aluminum with a felt cover to protect the goods from sliding through and from scratching.



Window/door holder

Width-adjustable clamping device especially for doors and windows.

Article number	CC160 LI-ION	CC200 LI-ION
Back wall felt	100674	
Back wall rubber	100714	
Window/door holder	100936	
Support for white goods	100673	
Front plate	100703	100704
Battery pack BOSCH AMPShare 8 Ah (additional)	100965	
Battery pack BOSCH AMPShare 12 Ah (additional)	100969	
Battery pack BOSCH AMPShare 12 Ah (surcharge) (instead 8 Ah)	100998	
Charger BOSCH GAL-18V-40 Professional (additional)	100990	
Pneumatic tires (surcharge)	black grey	100462 100519
Support for round goods	100672	
Extended handles + 20 cm (surcharge)	100616	
Auxiliary stairs	Steps	4 steps
	Regular support	100018
	Extended support	100326



Auxiliary stairs, made of steel, takes a load of up to 350 kg

Thanks to these stairs you can comfortably load and unload your transporter, trailer, or transportation vehicle. If your vehicle has a tow-bar you need the auxiliary stairs with an extended support.



Support for white goods



Support for round goods

With a diameter of approximately 150 – 800 mm to protect round goods.



8-Ah-Li-Ion-battery pack

Additional battery pack for continuous operation.



12-Ah-Li-Ion-battery pack

12 Ah incl. safety interlock.



Extended grips

20 cm longer than standard grips.



Pneumatic tires

Black | grey.

COMFORT
CLIMBING SYSTEM



CargoMaster

CC160/200

THE PERFECT ALLROUNDERS

The stair climber of the CC-Series are the right choice when it comes to medium-heavy or bulky loads. Its low empty weight and easy handling make the CargoMaster an indispensable aid.

Inside or outside — the CargoMaster is a strong partner in any type of environment. The CC series of the CargoMaster includes the CC160 with a lifting power of 160 kg, and the CC200, which is capable of lifting up to 200 kg.

For special challenges, there is a great variety of accessories to equip your CargoMaster optimally for individual tasks of transportation.

SAFE TRANSPORTATION

UP TO 200 KG VIA STAIRS

COMFORT STEP

FOR EASY AND GENTLE CLIMBING

MULTI-LEVELLED BATTERY
DISPLAY INTEGRATED

CargoMaster CC160

CargoMaster CC200



Technical data

	CC160	CC200
Lifting capacity in kg	160	200
Steps' edge braking system	✓	
Battery display	✓	
ComfortStep	✓	
Single step mode	✓	
Climbing speed (steps/minute) ⁽¹⁾	12-25	9-20
Range with one charge of the battery ⁽¹⁾	25-30 floors	
Height Width Depth in mm	1065-1490 446 300	
Weight battery pack	4,3 kg	
Total weight incl. battery pack	28,9	30,5

(1) Range with one charge of the battery at an average load of approx. 75 kg. Climbing speed and range may decrease with increasing load weight.

We reserve the right for changes on technical reasons.





Front plate

Made of safety plexiglass to protect the goods from sliding through or from scratching.



Back wall

Made of aluminum with a felt cover to protect the goods from sliding through and from scratching.



Window/door holder

Width-adjustable clamping device especially for doors and windows.

Article number	CC160	CC200
Back wall felt		100674
Back wall rubber		100714
Window/door holder		100936
Support for white goods		100673
Front plate	100703	100704
Battery Pack		100610
Mega battery pack (instead of standard) (surcharge)		100909
Mega battery pack (additional)		100908
Charger		100027
Charging cable for the car	12 V 24 V	100022
Pneumatic tires (surcharge)	black grey	100462
Support for round goods		100672
Extended grips + 20 cm (surcharge)		100616
Auxiliary stairs	Steps	4 steps
	Regular support	100018
	Extended support	100326



Auxiliary stairs, made of steel, takes a load of up to 350 kg

Thanks to these stairs you can comfortably load and unload your transporter, trailer, or transportation vehicle. If your vehicle has a tow-bar you need the auxiliary stairs with an extended support.



Support for white goods



Support for round goods

With a diameter of approximately 150 – 800 mm to protect round goods.



Battery Pack

Additional battery pack for continuous operation.



Mega battery pack

9 Ah incl. interlocking.



Extended grips

20 cm longer than standard grips.



Pneumatic tires

Black | grey.



Charging cable for the car

Available in 12 V or 24 V.

Range of toe plates

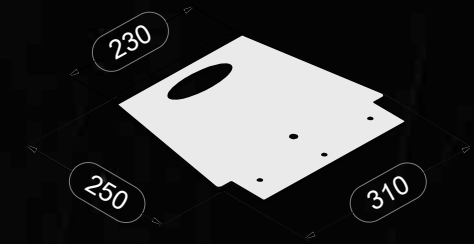
CargoMaster CC160/CC200

Choose the appropriate toe plate for your personal transportation situation from the variety we offer.

Of course, we also manufacture special shovels according to your specific requirements.

Article number		CC160	CC200
Standard toe plate 310 x 250 x 230 mm	included in the delivery package	-	-
	additional	100608	
Toe plate 440 x 240 mm	instead of standard version (extra charge)	100662	
	additional	100663	
Toe plate 600 x 120 mm	instead of standard version (extra charge)	100664	
	additional	100665	
Toe plate 400 x 440 mm	instead of standard version (extra charge)	100666	
	additional	100667	
Toe plate to hook on 430 x 405 mm		100668	
Toe plate for a laundry cart		100669	
Toe plate to hook on for the transportation with a chair		100705	
Toe plate to hook on for crates with drinks		100708	

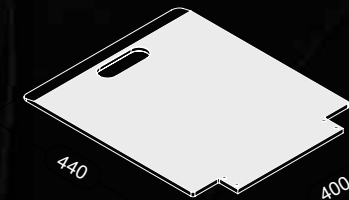
Standard toe plate
310 x 250 x 230 mm



Toe plate
440 x 240 mm



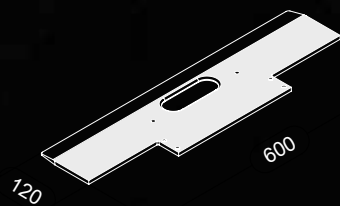
Toe plate
400 x 440 mm



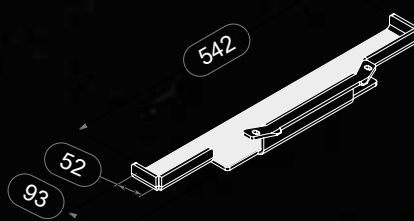
Toe plate to hook on
430 x 405 mm



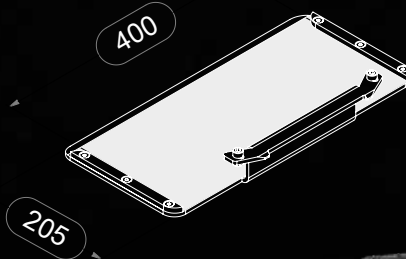
Toe plate
600 x 120 mm



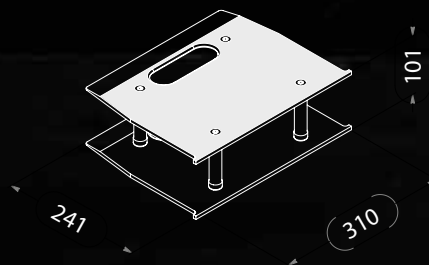
Toe plate to hook on for the transportation with a chair
542 x 93 x 52 mm



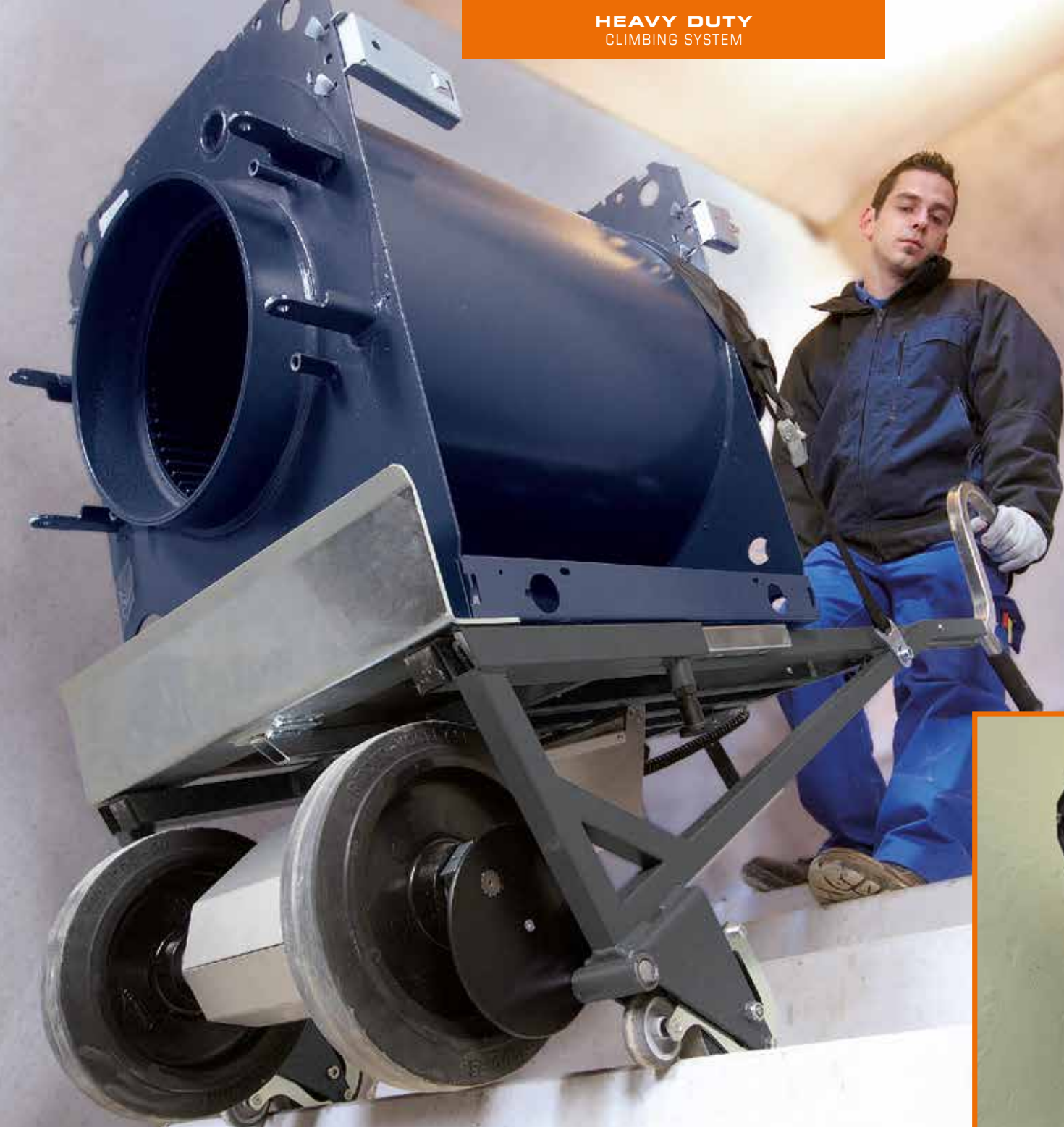
Toe plate to hook on for crates with drinks
400 x 205 mm



Toe plate for a laundry cart
295 x 240 x 101 mm



HEAVY DUTY
CLIMBING SYSTEM



CargoMaster

A350

YOUR SPECIALIST FOR HEAVY LOADS

To transport heavy loads up- and downstairs is one of the most difficult challenges of transportation. In most cases two people have to tackle the goods. Back and joints are unduly strained and accidents happen more easily — the CargoMaster relieves your back and your wallet.

The CargoMaster transports virtually all heavy goods over stairs with ease, speed, reliability and little physical power. Generally one person is sufficient to operate the device. The A350 is particularly suited to transport extremely heavy, wide and high goods. In such situations safety and stability are of the highest priority.

The A350 is our special device for really heavy goods. It transports loads up to 350 kg and is, therefore, ideal for heating boilers, copying machines, vending machines, slot machines, stoves, and much more.

CENTRE OF GRAVITY ADJUSTMENT
DUE TO THE ADJUSTABLE TOE PLATE

SAFE TRANSPORTATION
350 KG VIA STAIRS

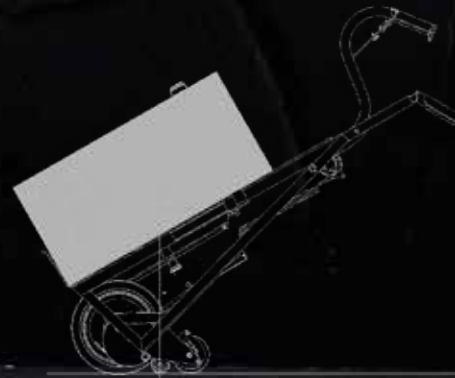
CLIMBING SPEED
STEPLESS



Technical data

Lifting capacity	350 kg
Steps' edge braking system	✓
Single step mode	✓
Battery display	-
Climbing speed⁽¹⁾	5-11 Steps / minute
Range with one charge of the battery at a maximum load of 350 kg⁽¹⁾	18 floors
Range with one charge of the battery⁽¹⁾ at a average load of 75 kg⁽¹⁾	57 floors
Height Width Depth in mm	1187-1793 595 516
Weight battery pack	5,9 kg
Total weight incl. battery pack	50,4 kg

⁽¹⁾ Climbing speed and range may decrease with increasing load weight.



Depending on the goods being transported and the focus the CargoMaster A350 on the stairs or level be turned off. Pushing is also in this one Position possible without great effort.



Suitable for high transport goods



Battery Pack

Additional battery pack for continuous operation.



Charger

Additional Charger.



Charging cable for the car

Available in 12 V or 24 V.

Article number	Battery Pack	Charger	Charging cable for the car		Supporting bow	Support for round goods	Back wall	
			12 V	24 V			Carpet	Rubber
A350	100020	100027	100022	100024	100075	100010	100234	100204

Article number		A350
Transportation wheel		100529
Auxiliary stairs	Steps	4 steps
	Regular support	100018
	Extended support	100326



Supporting bow

This is suitable to transport high goods. Easy assembly due to gripper clamps on the bars of the grips. This helps to optimize the load's center of gravity for easy handling.



Support for round goods

Support for round containers with a diameter of 150 – 800 mm. Easy assembly by inserting.



Back wall

Protects the load from scratching or sliding through. Available with a rubber or felt cover.



Auxiliary stairs, made of steel, takes a load of up to 350 kg

Thanks to these stairs your transporter or delivery vehicle can easily be loaded and unloaded with the CargoMaster. If your vehicle sports a tow-bar, you need auxiliary stairs with the extended support.

Range of toe plates

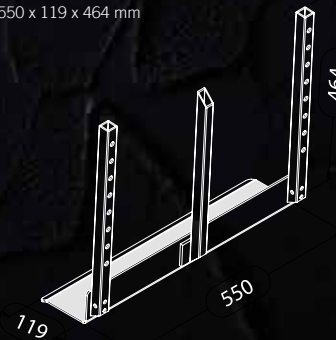
CargoMaster A350

The toe plates of the A350 are adjustable in height. Please choose the appropriate plate for your particular situation of transportation from our wide range of plates.

Toe plate		Standard 12 cm		25 cm	
Beams		regular *)	extended **)	regular	extended **)
Article number	Instead of standard version (extra charge)	-	100153	100008	100206
	Additional	100308	100298	100009	100205

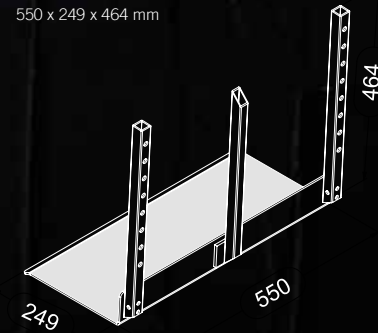
Standard 12 cm - regular beams

550 x 119 x 464 mm



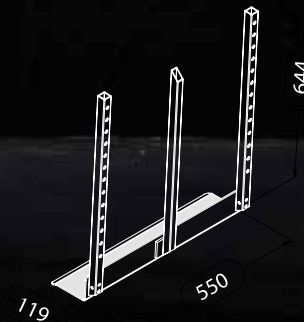
25 cm - regular beams

550 x 249 x 464 mm



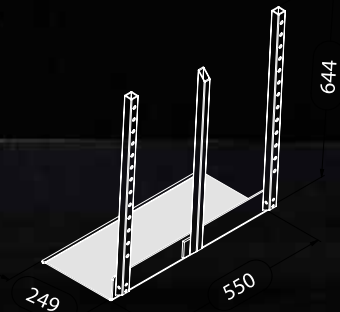
Standard 12 cm - extended beams

550 x 119 x 644 mm



25 cm - extended beams

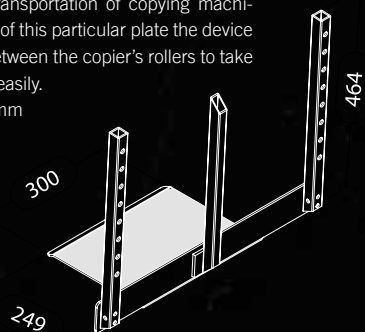
550 x 249 x 644 mm



Toe plate for copying machines
regular
100465
100466

Toe plate for copying machines

Suitable for the transportation of copying machines. With the help of this particular plate the device can be inserted between the copier's rollers to take up the load more easily.
300 x 249 x 464 mm



HEAVY DUTY
CLIMBING SYSTEM



CargoMaster

C400

EFFORTLESS TRANSPORTATION EVEN OF
EXTREMELY HEAVY LOADS

The CargoMaster C400 was designed for particularly heavy loads. With the C400 one person alone can transport loads up to 400 kg upstairs and downstairs as well as on level ground thus being your reliable partner. The load's centre of gravity can be optimally adjusted due to the electrically adaptable load fork; therefore, going up-stairs and downstairs as well as driving on level ground is made easy.

INTEGRATED LIFT
TO LOAD AND UNLOAD EASILY

SAFE TRANSPORTATION
400 KG VIA STAIRS

CENTRE OF GRAVITY ADJUSTMENT
DUE TO ELECTRICALLY ADJUSTABLE LOAD FORK



HEAVY DUTY
CLIMBING SYSTEM

Technical data

Lifting capacity	400 kg
Steps' edge braking system	✓
Single step mode	✓
Battery display	-
Climbing speed ⁽¹⁾	3-7 Steps / minute
Range with one charge of the battery at a maximum load of 400 kg⁽¹⁾	10 floors
Range with one charge of the battery⁽¹⁾ at a average load of 75 kg⁽¹⁾	20 floors
Height Width Depth in mm	1509-1869 566 790
Weight battery pack	4,1 kg
Total weight incl. battery pack	86,1 kg

⁽¹⁾ Climbing speed and range may decrease with increasing load weight.

Intelligent accessories —

For all situations of transportation

The climbing mechanism of the C400 provides a safe transport of goods on virtually all stairs inside and outside. The safety brakes stop automatically at each edge of a step.

The battery pack, which can be charged via the charger, provides electricity. One battery charge is sufficient for 8 – 15 floors, depending on the load.

The delivery package of the C400 includes the C400 with attached lift, a lashing strap, battery pack and the charger. Special accessories make the C400 an ideal partner in virtually all situations of transportation.

Article number		C400
Support bow for high goods		104075
Back wall with felt cover		104074
Adjustable grips (extra charge)		104002
Tilting aid		104063
Support for load fork extension (75 cm)		104005
Extension of the fork load (75 cm, extra charge)		104087
Rack for the toe plate (extended fork 75 cm)		104091
Support for round containers		104057
Auxiliary stairs	Steps	4 steps
	Regular support	100018
	Extended support	100326



Adjustable grips



Support for round containers



Auxiliary stairs made of steel for a load up to 350 kg

Thanks to these stairs you can comfortably load and unload your transporter, trailer, or transportation vehicle. If your vehicle has a tow-bar you need the auxiliary stairs with an extended support.



Support bow for high goods



Back wall with felt cover



Support for load fork



Tilting aid

UP TO

400 TRANS

STAIR CLIMBER FOR PROFESSIONALS

As leading supplier of electric stair climbing devices, we offer effective, cost-saving and sustainable solutions for all kind of transports over stairs - up to loads of 400 kg.

ENGINEERED IN GERMANY

CLIMBING SPORT

Even spiral staircases or high-quality wooden stairs are no obstacle for our stair climbers - they carry loads with almost no effort and without grumbling.

Our patented braking system as well as our proven stair climbing systems ensure the highest level of safety without damaging the stairs.



CargoMaster

STAIR CLIMBER FOR PROFESSIONALS



Follow us on social media.



The CargoMasters correspond to the Guidelines 2006/42/EG of the European Community.

The company AAT Alber Antriebstechnik GmbH is certified according to DIN EN ISO 9001:2015 and EN ISO 13485:2016.

Persons with visual or reading impairments as well as mental disabilities can display/print this brochure in larger letters at www.cargomaster.org or have it read aloud if necessary. In addition, you will find product-specific user manuals with further technical data and information on our homepage.

CargoMaster.org



ENGINEERED IN GERMANY



AAT Alber Antriebstechnik GmbH
Post box 1005 60 · 72426 Albstadt,
Germany

Phone: +49.7431.1295-128 · Fax: 1295-35
export@cargomaster.org
www.cargomaster.org