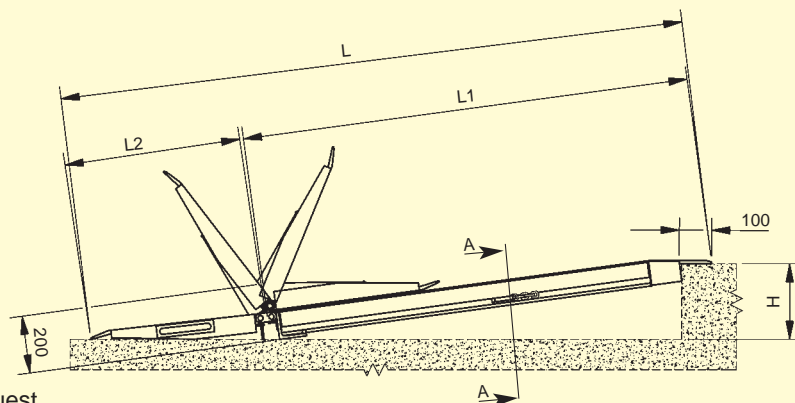


Type MC

The mobile bridge ramp MC is used specifically for loading and unloading shipping containers. The heavy duty combination of steel and aluminium ensures a strong construction for use in this tough environment. Integral fork lift handles ensure easy movement.



Type	Order code	Length L (mm)	L1 (mm)	L2 (mm)	Width B (mm)	Height Difference (mm)		Capacity (kgs/ea)	Weight (kgs/ea)
						min.	max.		
MC	306.03.001	2070	1465	565	2000	+ 60	+ 235	6000	345
MC	306.03.002	2320	1715	565	2000	+ 60	+ 265	6000	400
MC	306.03.003	2570	1965	565	2000	+ 60	+ 295	6000	460
MC	306.03.004	2320	1715	565	2300	+ 60	+ 265	6000	455



Other dimensions on request



A strong steel construction with foldable aluminium wedges guarantees capacities up to 6000 kgs.

- ① Transport by forklift
- ② Easy positioning
- ③ Unfolding of lightweight aluminium wedges
- ④ Ready for loading or unloading the container



③



④

