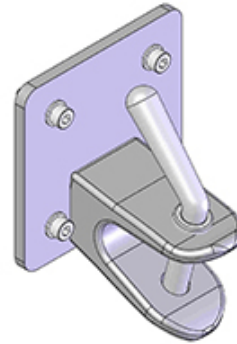
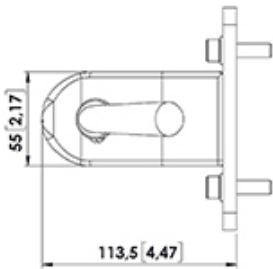
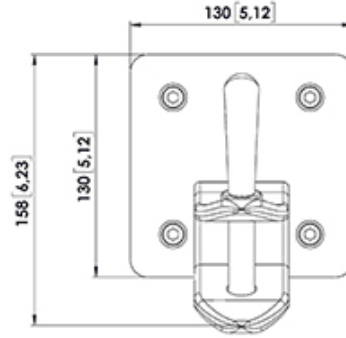
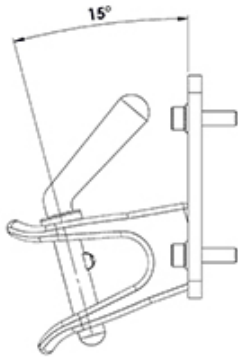




...the passion for moving



Zallys

TABLE:
ZG10.001.700

1:2

This document is proprietary to ZALLYS S.r.l. and shall not be used or disclosed to others without the written authorization of ZALLYS S.r.l.

Characteristics		Tolerance	M.U.	.
1.01	Model number			ZG10.001.700===
1.02	Model name			Pin hitch Ø16 mm
1.03	Manufacturer			ZALLYS

Technical data		Tolerance	M.U.	.
8.23	Structure			In steel
8.24	Surface treatment			Galvanizing

Weight		Tolerance	M.U.	.
9.20	Weight		kg	1.85

Dimensions		Tolerance	M.U.	.
10.01	Length		mm	106
10.02	Width		mm	130
10.05	Height		mm	158
10.50	**For further details please click on technical draws			