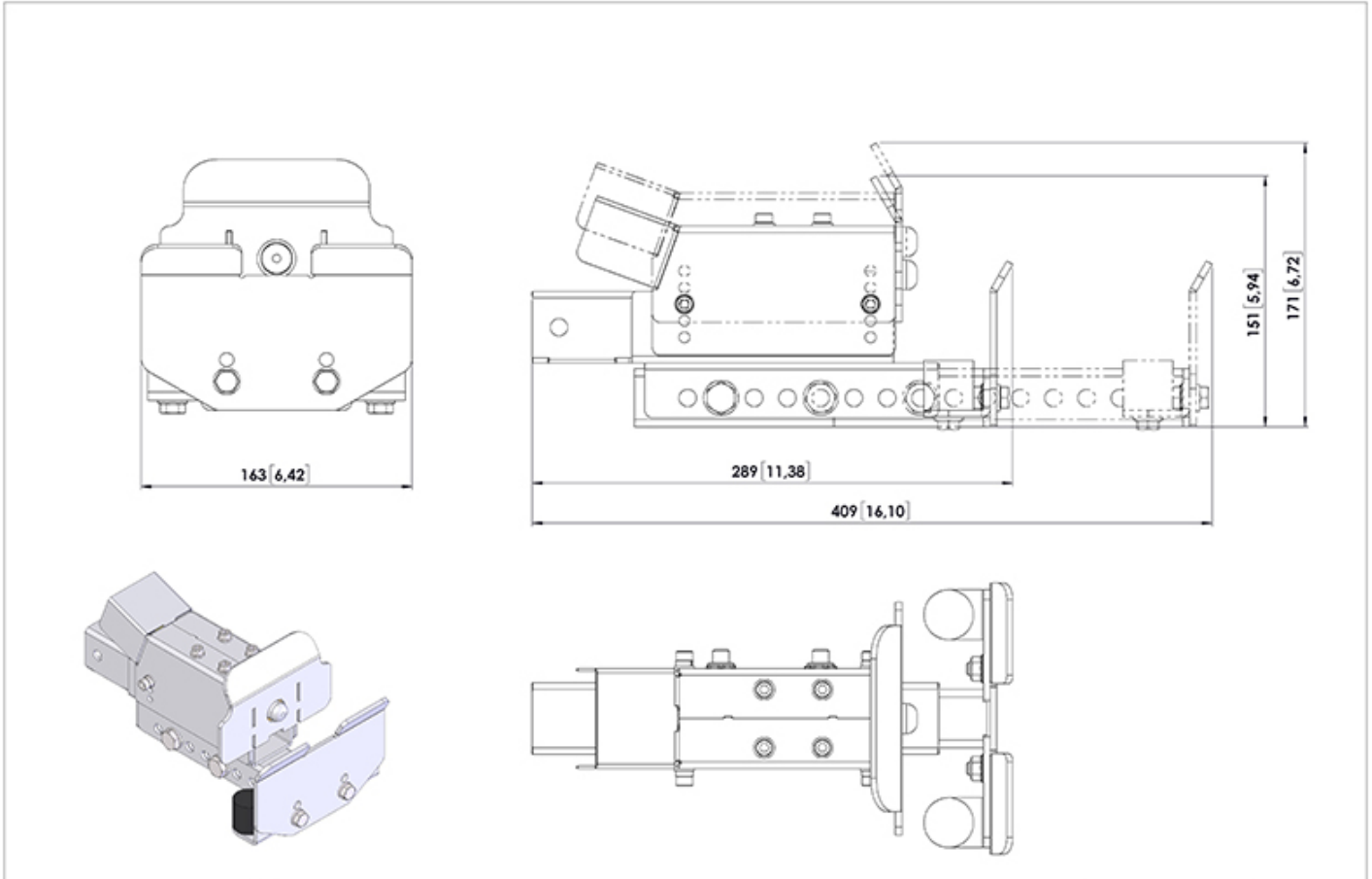




...the passion for moving



Zallys	TABLE: ZG20.031.720		mm / [inch]	1:2
---------------	-------------------------------	--	-------------	-----

This document is proprietary to ZALLY S.r.l. and shall not be used or disclosed to others without the written authorization of ZALLY S.r.l.

Characteristics		Tolerance	M.U.	.
1.01	Model number			ZG20.031.720===
1.02	Model name			Roll box hitch with electromagnetic lock
1.03	Manufacturer			ZALLYS

Technical data of electric tilting system		Tolerance	M.U.	.
3.90	System voltage		V	24

Technical data		Tolerance	M.U.	.
8.13	Connecting device			Electromagnet
8.23	Structure			In steel
8.24	Surface treatment			Polyester powder coating

Dimensions		Tolerance	M.U.	.
10.01.1	Length max		mm	383
10.01.2	Length min		mm	284
10.02	Width		mm	163
10.05.1	Height max		mm	171
10.05.2	Height min		mm	151
10.50	**For further details please click on technical draws			